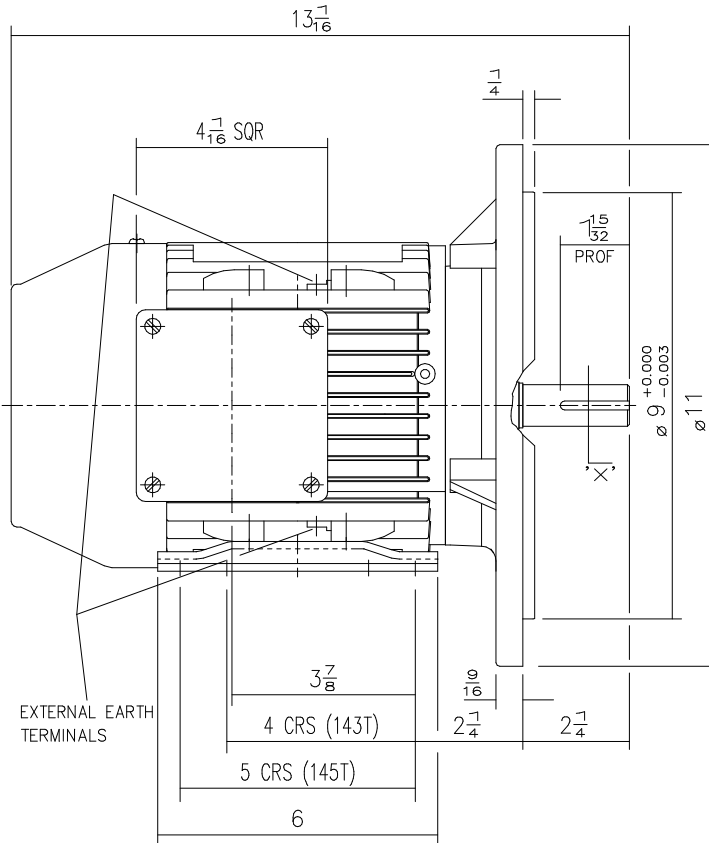
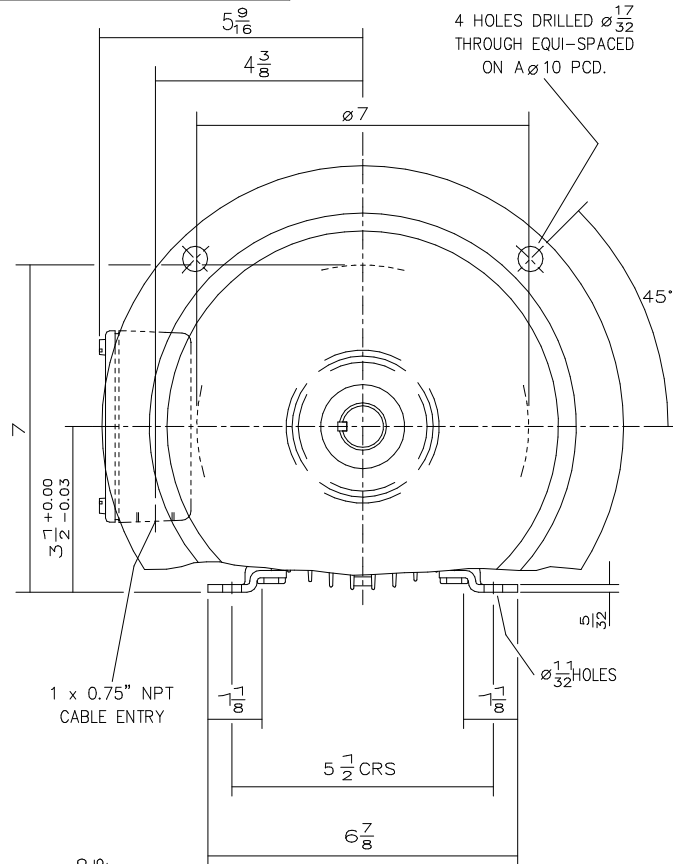


DRG. No W31GH003/1

DRG. REF.



CUSTOMER		
ORDER No.		
PART No.		
OUR ORDER No.		
FRAME SIZE		
KW.	RPM.	
Hz	PHASE	
VOLTS	POLES	
BRGS.	DE.	NDE.
MOTOR NETT WT.		Kg.
SPECIAL REMARKS		

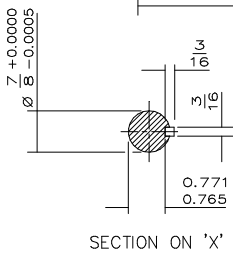
(ALL DIMENSIONS IN INCHES)

FIRST ANGLE PROJECTION

BROOK CROMPTON

Huddersfield, HD1 3LJ ENGLAND

TERMINAL BOX CAN BE ARRANGED IN 3 OR 12 O'CLOCK POSITIONS.
CONDUIT ENTRIES:- TERMINAL BOX CAN BE ROTATED AT 90° INTERVALS
(CONDUIT ENTRY POSITION SHOWN FOR ILLUSTRATION ONLY)



SHEET SIZE: A3 TITLE: OUTLINE DIMENSION DRAWING W ALUMINIUM TOTALLY ENCLOSED FAN COOLED 143/5 FRAME FLANGE WITH FEET MOUNTED MOTOR

	NAME	DATE
DRAWN	RR	24-07-01
CHECKED	DH	24-07-01
SCALE	1:2.5	

DRG. No.	W31GH003/0	
DRG. REF.		
REVISION:		DATE